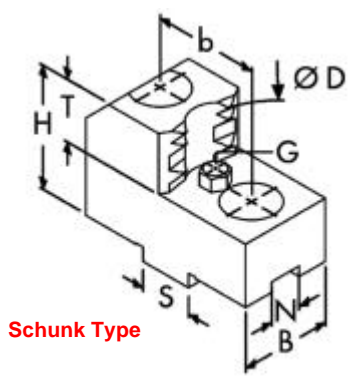




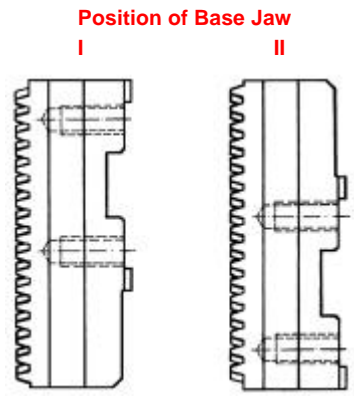
LIGHTWEIGHT CLAW JAWS

HARD CLAW JAWS Very Aggressive Bite Hard Jaws

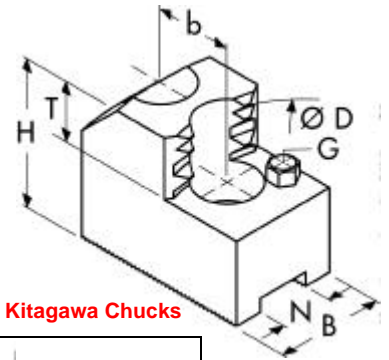
- For O.D. Clamping
- Claw profile allows for more bite
- Crafted from Steel 16 MnCr 5
- Case hardened



Schunk Type



Position of Base Jaw



For Kitagawa Chucks



For Quick Jaw Change Schunk Chucks

Schunk Chuck Type	Clamping Range mm	Position of Base Jaw		Swing Dia mm	Groove Width N	Hole to Hole b	Tongue Width S	Width B	Height H	Gripping Face Ht T	Work Stop Thread G	Part Number	Price Each	Mfg. Model No
		I	II											

8" (200mm, 210mm, 215mm) Size Chucks (Group TK-10-08-40)

THW 210-R	28-82	•		248	10mm	40mm	20mm	26mm	45mm	25mm	M 6	WK-080-CO-10-S	\$412.30	SZKA 212
THW 210-R	66-119		•	250				30mm	45mm	25mm	M 6	WK-080-CO-20-S	\$412.30	SZKA 213
THW 210-R	103-157	•		248				30mm	45mm	25mm	M 6	WK-080-CO-20-S	\$412.30	SZKA 213
THW 210-R	138-192	•		254				30mm	45mm	25mm	M 6	WK-080-CO-30-S	\$412.30	SZKA 216

10" (250mm, 260mm) Size Chucks (Group TK-12-12-40)

THW 250-R	31-86		•	297	12mm	40mm	20mm	30mm	50mm	25mm	M 6	WK-100-CO-10-S	\$447.45	SZKA 263
THW 250-R	82-143		•	297				40mm	50mm	25mm	M 6	WK-100-CO-20-S	\$447.45	SZKA 266
THW 250-R	144-207	•		301				40mm	50mm	25mm	M 6	WK-100-CO-20-S	\$447.45	SZKA 266
THW 250-R	177-240	•		315				40mm	50mm	25mm	M 6	WK-100-CO-30-S	\$447.45	SZKA 268

12" (315mm) Size Chucks (Group TK-12-12-40)

THW 315-R	31-112		•	346	12mm	40mm	20mm	30mm	50mm	25mm	M 6	WK-100-CO-10-S	\$447.45	SZKA 263
THW 315-R	86-170		•	346				40mm	50mm	25mm	M 6	WK-100-CO-20-S	\$447.45	SZKA 266
THW 315-R	119-204		•	346				40mm	50mm	25mm	M 6	WK-100-CO-30-S	\$447.45	SZKA 268
THW 315-R	206-291	•		366				40mm	50mm	25mm	M 6	WK-100-CO-30-S	\$447.45	SZKA 268

For Kitagawa Chucks

Kitagawa Chuck Type	Clamping Range mm	Swing Dia mm	Groove Width N	Hole to Hole b	Screw Size	Width B	Height H	Gripping Face Ht T	Workstop Thread G	Part Number	Price Each	Mfg. Model No
---------------------	-------------------	--------------	----------------	----------------	------------	---------	----------	--------------------	-------------------	-------------	------------	---------------

6" (165mm) Size Chucks (Group K1-12-20)

B 206	31-52	172	12mm	20mm	M10	30mm	47mm	20mm	M6	KT-060-COD-10-S	\$342.95	SZAJ 16-6
HOH 6/206	31-52	172										
N 160; N 6	32-47	166										
B 206	42-67	172	12mm	20mm	M10	30mm	47mm	20mm	M6	KT-060-COD-20-S	\$342.95	SZAJ 16-7
B 160; B 6	32-65	170										
HOH 6/206	42-67	172										
N 160; N 6	47-63	166										
B 206	58-81	172	12mm	20mm	M10	30mm	47mm	20mm	M6	KT-060-COD-30-S	\$342.95	SZAJ 16-8
B 160; B 6	47-81	170										
HOH 6/206	58-83	172										
N 160; N 6	63-77	166										
B 206	72-97	172	12mm	20mm	M10	35mm	47mm	20mm	M6	KT-060-COD-40-S	\$342.95	SZAJ 16-9
B 160; B 6	61-95	170										
HOH 6/206	72-97	172										
N 160; N 6	77-93	166										
B 206	88-113	172	12mm	20mm	M10	40mm	47mm	20mm	M6	KT-060-COD-50-S	\$342.95	SZAJ 16-10
B 160; B 6	77-111	170										
HOH 6/206	88-113	172										
N 160; N 6	93-107	166										

See Following Page For Claw Jaws for 8", 10" & 12" Kitagawa Chucks

Call Us Today For All Of Your Machine Tool Needs!

LIGHTWEIGHT CLAW JAWS

HARD CLAW JAWS-For Kitagawa Chucks (continued)

Kitagawa Chuck Type	Clamping Range mm	Swing Dia mm	Groove Width N	Hole to Hole b	Screw	Width B	Height H	Gripping Face Ht T	Workstop Thread G	Part Number	Price Each	Mfg. Model No
---------------------	-------------------	--------------	----------------	----------------	-------	---------	----------	--------------------	-------------------	-------------	------------	---------------

8" (210mm) Size Chucks-Group K1-14-25

B 208	35-64	211	14mm	25mm	M12	35mm	53mm	25mm	M6	KT-080-CO-10-S	\$356.25	SZAJ 20-1
B 200, B 8	33-61	208										
HOH 8/208	35-64	211										
N 200, N 8	42-68	212										
B 208	62-92	211	14mm	25mm	M12	35mm	53mm	25mm	M6	KT-080-CO-20-S	\$356.25	SZAJ 20-2
B 200, B 8	47-89	208										
HOH 8, HOH 208	62-92	211										
N 200, N 8	68-96	216										
B 208	92-122	211	14mm	25mm	M12	40mm	53mm	25mm	M6	KT-080-CO-30-S	\$377.15	SZAJ 20-3
B 200, B 8	77-119	208										
HOH 8/208	92-122	211										
N 200, N 8	98-128	217										
B 208	122-153	211	14mm	25mm	M12	40mm	53mm	25mm	M6	KT-080-CO-40-S	\$377.15	SZAJ 20-4
B 200, B 8	113-150	208										
HOH 8/208	122-153	211										
N 200, N 8	128-153	212										
B 208	144-173	229	14mm	25mm	M12	40mm	53mm	25mm	M6	KT-080-CO-50-S	\$377.15	SZAJ 20-16
B 200, B 8	135-170	226										
HOH 8/208	144-173	229										
N 200, N 8	153-173	230										

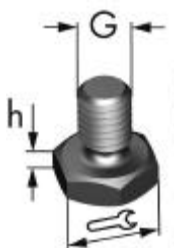
10" (254mm) Size Chucks-Group K1-16-30

B 210	43-84	260	16mm	30mm	M12	40mm	58mm	25mm	M6	KT-100-CO-10-S	\$396.15	SZAJ 25-1
B 250, B 10	40-81	258										
HOH 10 K, HOH 250	38-79	255										
N 250, N 10	37-78	255										
B 210	84-128	260	16mm	30mm	M12	40mm	58mm	25mm	M6	KT-100-CO-20-S	\$396.15	SZAJ 25-2
B 250, B 10	76-123	258										
HOH 10K, HOH 250	79-123	255										
N 250, N 10	78-122	257										
B 210	128-173	264	16mm	30mm	M12	40mm	58mm	25mm	M6	KT-100-CO-30-S	\$396.15	SZAJ 25-3
B 250, B 10	120-167	262										
HOH 10 K, HOH 250	123-168	259										
N 250, N 10	122-167	263										
B 210	173-214	280	16mm	30mm	M12	40mm	58mm	25mm	M6	KT-100-CO-40-S	\$396.15	SZAJ 25-4
B 250, B 10	165-212	278										
HOH 10K, HOH 250	168-209	275										
N 250, N 10	167-208	274										

12" (300mm, 304mm) Size Chucks-Group K1-18-30

B 300, B 12	45-108	320	18mm	30mm	M14	50mm	65mm	25mm	M8	KT-120-CO-10-S	\$475.95	SZAJ 30-1
HOH 12 K, HOH 300	45-110	322										
N 300, N 12	42-116	328										
B 300, B 12	93-168	334	18mm	30mm	M14	50mm	65mm	25mm	M8	KT-120-CO-20-S	\$475.95	SZAJ 30-2
HOH 12 K, HOH 300	99-170	336										
N 300, N 12	102-176	342										
B 300, B 12	158-234	325	18mm	30mm	M14	50mm	65mm	25mm	M8	KT-120-CO-30-S	\$475.95	SZAJ 30-3
HOH 12 K, HOH 300	163-236	327										
N 300, N 12	166-242	333										
B 300, B 12	227-299	370	18mm	30mm	M14mm	50mm	65mm	25mm	M8	KT-120-CO-40-S	\$475.95	SZAJ 30-4
HOH 12 K, HOH 300	228-301	372										
N 300, N 12	231-307	378										
B 212	45-111	323	21mm	30mm	M16	50mm	65mm	25mm	M8	KT-128-CO-10-S	\$475.95	SZAJ 30-5
B 212	108-173	337								KT-128-CO-20-S		SZAJ 30-6
B 212	173-238	328								KT-128-CO-30-S		SZAJ 30-7
B 212	238-302	373								KT-128-CO-40-S		SZAJ 30-8

SCREWS FOR WORKSTOP



Screw Head Height h	Wrench Size	Workstop Screw Thread G	Part Number	Price	MFG Id.-No.	Screw Head Height h	Wrench Size	Workstop Screw Thread G	Part Number	Price	MFG Id.-No.
5	8	M 5	SCH-AB55	\$7.00	122 171	25	10	M 6	SCH-AB256	\$9.00	122 169
10	8	M 5	SCH-AB105	\$7.00	122 172	5	14	M 8	SCH-AB58	\$7.00	122 161
15	8	M 5	SCH-AB155	\$7.00	122 173	10	14	M 8	SCH-AB108	\$7.00	122 163
5	10	M 6	SCH-AB56	\$7.00	122 160	15	14	M 8	SCH-AB158	\$7.00	122 165
10	10	M 6	SCH-AB106	\$7.00	122 162	20	14	M 8	SCH-AB208	\$9.00	122 167
15	10	M 6	SCH-AB156	\$7.00	122 164	25	14	M 8	SCH-AB258	\$9.00	122 168
20	10	M 6	SCH-AB206	\$9.00	122 166	30	14	M 8	SCH-AB308	\$9.00	122 170

Call Us Or Visit Our Website For Our Complete Selection!