

RETENTION KNOB SOCKETS

RETENTION KNOB SOCKETS

Most CNC facilities are unaware of the critical importance of correctly measuring torque when installing retention knobs. Operators often employ adjustable wrenches and similar crude tools that poorly grip the retention knob and fail to measure torque. For optimal performance and safety, retention knobs are designed to be tightened to specific torque settings. Stud Socket allows the operator to safely and correctly torque retention knobs.

FEATURES:

- Aids in the installation and removal of retention knobs
- Use in conjunction with a torque wrench to uniformly tighten knobs to Manufacturer's standards
- Extends life of retention knob and tool holder-help to eliminate "rounding off" of knob's corners
- Torque value clearly laser marked on socket
- Sockets have 1/2" drive- For use with Torque Wrench (Part Number RK-WRENCH)

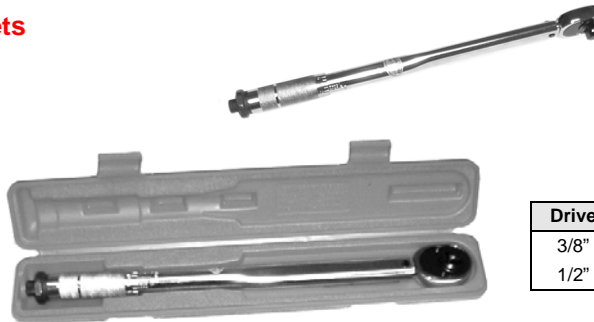
USST Retention Knob or Standard	Retention Knob Socket	Price Each	Max Torque ft/lbs	USST Retention Knob or Standard	Retention Knob Socket	Price Each	Max Torque ft/lbs	USST Retention Knob or Standard	Retention Knob Socket	Price Each	Max Torque ft/lbs
JMTBA Std. PT30-I	RK-W30M-A	\$43.62	40lbs	ISO Std A 45	RK-W45M	\$63.00	100lbs	C40-9000H	RK-W40-A	\$47.25	85lbs
JMTBA Std. PT30-II	RK-W30M-A		40lbs	DIN Std. 45	RK-W45M	\$55.97	100lbs	C40-9000S	RK-W40-A		85lbs
B30-4500H	RK-W30M-A		40lbs	JMTBA Std. PT50-I	RK-W50M-A		110lbs	C40-4503H	RK-W40-A		85lbs
B30-4500S	RK-W30M-A		40lbs	JMTBA Std. PT50-II	RK-W50M-A	110lbs	C40-4503S	RK-W40-A	85lbs		
B30-6000S	RK-W30M-A		40lbs	B50-4500H	RK-W50M-A	\$55.97	110lbs	1U.S. Std. ANSI 40	RK-W40-A		85lbs
B30-9000S	RK-W30M-A		40lbs	B50-4500S	RK-W50M-A		110lbs	C40-4500H	RK-W40-A		85lbs
B30-7500H	RK-W30M-A		40lbs	B50-6000H	RK-W50M-A		110lbs	C40-4500S	RK-W40-A		85lbs
DIN Std. 30	RK-W30D	\$54.00	40lbs	B50-6000S	RK-W50M-A		110lbs	C40-4500SG	RK-W40-A	\$47.25	
				B50-9000H	RK-W50M-A		110lbs	C40-4505S	RK-W40-A	85lbs	
JMTBA Std. PT35-I	RK-W40M	\$58.50	40lbs	B50-9000S	RK-W50M-A	110lbs	C40-4505S	RK-W40-A	85lbs		
JMTBA Std. PT35-II	RK-W40M		40lbs	B50-4509H-NEW	RK-W50	\$69.30	110lbs	C40-7500H	RK-W40-A	\$47.25	
JMTBA Std. PT40-I	RK-W40-A	85lbs	B50-4509S	RK-W50	110lbs		C40-7500S	RK-W40-A	85lbs		
JMTBA Std. PT40-II	RK-W40-A	\$47.25	85lbs	ISO Std A 50	RK-W50M-A	\$55.97	110lbs	C40-7551H	RK-W40-A	85lbs	
B40-4502S	RK-W40-A		85lbs	DIN Std. 50	RK-W50M-A		110lbs	C45-4500S	RK-W45M	\$63.00	
B40-4500H	RK-W40-A		85lbs	B50-7500S-NEW	RK-W50M-A	110lbs	C45-6000S	RK-W45M	100lbs		
B40-4500S	RK-W40-A		85lbs	B50-7500H-NEW	RK-W50M-A	110lbs	C45-9000S	RK-W45M	100lbs		
B40-6000H	RK-W40-A	\$47.25	85lbs	1U.S. Std. ANSI 30	RK-W30	\$54.00	40 lbs	C45-4501H	RK-W45	\$63.00	100lbs
B40-6000S	RK-W40-A		85lbs	C30-4500H	RK-W30		40 lb	C45-4501S	RK-W45		100lbs
B40-9000H	RK-W40-A		85lbs	C30-4500S	RK-W30		40 lb	1U.S. Std. ANSI 45	RK-W45		100lbs
B40-9000S	RK-W40-A		85lbs	C40-4501H	RK-W40-A	\$47.25	85lbs	C50-4501H	RK-W50-A	110lbs	
B40-4503H	RK-W40-A		85lbs	C40-4501S	RK-W40-A		85lbs	C50-4501R	RK-W50-A	110lbs	
B40-4503S	RK-W40-A	85lbs	C40-4501SG	RK-W40-A	85lbs		C50-4501S	RK-W50-A	110lbs		
B40-4501H	RK-W40-A	85lbs	C40-4502H	RK-W40-A	85lbs		C50-6000H	RK-W50-A	\$55.97		
B40-4501S	RK-W40-A	85lbs	C40-4502S	RK-W40-A	85lbs		C50-6000S	RK-W50-A	110lbs		
ISO Std A 40	RK-W40-A	85lbs	C40-4504S	RK-W40-A	85lbs		C50-9000H	RK-W50-A	110lbs		
B40-7500H	RK-W40-A	85lbs	C40-6006S	RK-W40-A	\$47.25		85lbs	C50-9000S	RK-W50-A	110lbs	
B40-7500S	RK-W40-A	85lbs	C40-6006H	RK-W40-A		85lbs	1U.S. Std. ANSI 50	RK-W50-A	110lbs		
DIN Std. 40	RK-W40-A	85lbs	C40-6000H	RK-W40-A		85lbs	C50-4500H	RK-W50-A	\$55.97		
B40-7501H	RK-W40-A	85lbs	C40-6000S	RK-W40-A		85lbs	C50-4500R	RK-W50-A	110lbs		
JMTBA Std. PT45-I	RK-W45M	\$63.00	100lbs	C40-6000S		RK-W40-A	85lbs	C50-4500S	RK-W50-A	110lbs	
JMTBA Std. PT45-II	RK-W45M		100lbs	C40-MITSUI	RK-W40-A	85lbs	C50-4506H	RK-W50-A	\$55.97		
B45-4500S	RK-W45M	100lbs	C40-9006S	RK-W40-A	85lbs	C50-4506R	RK-W50-A	110lbs			
B45-6000S	RK-W45M	100lbs	C40-9006H	RK-W40-A	\$47.25	C50-4506R	RK-W50-A	110lbs			
B45-9000S	RK-W45M	100lbs	C40-9001S	RK-W40-A	85lbs	C50-7550H	RK-W50-A	110lbs			

TORQUE WRENCHES

For Use With Retention Knob Sockets

FEATURES:

- For use with retention knob sockets
- Using 1/2" or 3/8" drive wrenches
- Dial-in torque setting up to 150 ft/lbs for 1/2" and 80 ft/lbs for 3/8"
- Both ft/lbs marking scales available
- Reversible ratchet
- Supplied with durable plastic case



Drive	Part Number	Price
3/8"	RK-WRENCH-3/8	\$39.99
1/2"	RK-WRENCH-1/2	\$39.99

Call Us Or Visit Our Website For Our Complete Selection!