

POWER CHUCKS-1.5mm X 60° Serrations

SAMCHULLY HS SERIES

Standard 3-Jaw High Speed Open Center Chucks

SAMCHULLY
MACHINERY CO., LTD.



SAMCHULLY Chucks Are Interchangeable With Kitagawa™ B200 Series Chucks!

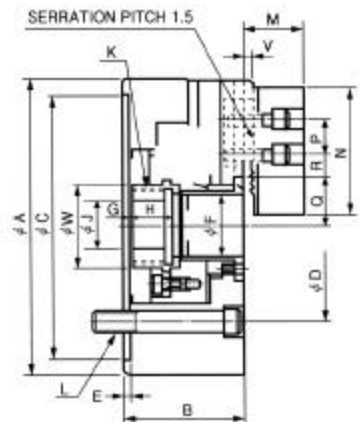
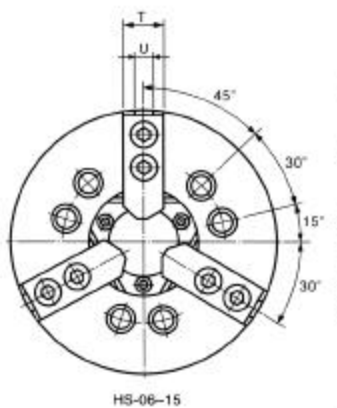
FEATURES:

- 3-jaw, wedge-type chuck with large bore
- Powerful gripping force and high turning speed
- Interchangeable with Kitagawa B200 Series power chucks
- Manufactured from high grade alloy steel
- All sliding surfaces are hardened and ground for accuracy and repeatability
- 2 & 4 jaw and Mega Bore chucks also available
- Large variety of replacement parts in stock

Known worldwide for excellent quality, **Samchully** produces power chucks, hydraulic cylinders and scroll chucks. Samchully Machinery Co., Ltd. has achieved and maintains its ISO 9001, and CE Mark certifications. Formerly known as Samwoo / Kitagawa, Samchully was started in association with **Kitagawa Japan** in 1975. Samchully's relationship with Kitagawa has morphed over the years through contractual agreements, and OEM work for Kitagawa Japan. Samchully product is not a copy of Kitagawa product, but the same in the majority of cases. Power chucks and hydraulic cylinders for CNC lathes manufactured by Samchully are standard equipment in products made by **Hyundai-KIA and Doosan** (Korea's top machine tools manufacturers). Samchully is also a major supplier of chucking systems to **HAAS Automation, Inc.**

- Samchully HS series chucks are interchangeable with Kitagawa B200 series chucks
- Samchully HCH series chucks are interchangeable with Kitagawa B series chucks
- Samchully HH and Kitagawa BB (Big Bore) series share the same specifications
- Samchully HT series chucks are interchangeable with Kitagawa BT series chucks

Chuck Size	Chuck Model	Thru-hole Dia	Mount	Part Number	Price	Chuck Cross Reference
5"	HS-05	1.290" (33mm)	Flatback	K-205-HS-H	\$1,950.00	B-205, N205
			A2-5	K-205A5-HS-H	\$2,150.00	HS-05
6"	HS-06	1.77" (46mm)	Flatback	K-206-HS-H	\$1,950.00	B206, N206
			A2-5	K-206A05-HS-H	\$2,150.00	ATL6, HS-06
8"	HS-08	52mm 2.047	Flatback	K-208-HS-H	\$2,280.00	B208, N208
			A2-6	K-208A06-HS-H	\$2,530.00	ATL8, HS-08
10"	HS-10	2.952" (77mm)	Flatback	K-210-HS-H	\$2,915.00	B210, N210 ATL10, HS-10
			A2-6	K-210A06-HS-H	\$3,325.00	
			A2-8	K-210A08-HS-H	\$3,325.00	
12"	HS-12	3.583" (91mm)	Flatback	K-212-HS-H	\$3,990.00	B212, N212 ATL12, HS-12
			A2-6	K212A06-HS-H	\$4,400.00	
			A2-8	K-212A08-HS-H	\$4,400.00	



Model	A	B	C (H6)	D	E	F	G max.	G min.	H	J	K max.	L	M	N	P	O max.	Q min.	R max.	R min.	T	U	V	W
HS-05	135	60	110	82.6	4	33	1	-9	20	12	M40X1.5	3-M10X60	26	54	14	26.5	23.8	19.75	7.75	23	10	2	45
HS-06(45)	169	81	140	104.8	5	45	11	-1	19	20	M55X2.0	6-M10X95	29	66	20	32	29.25	22.75	9.25	26	12	2	60
HS-06(46)	169	81	140	104.8	5	46	11	-1	19	20	M55X2.0	6-M10X95	29	66	20	32	29.25	22.75	9.25	26	12	2	60
HS-08	210	91	170	133.4	5	52	14.5	-1.5	20.5	30	M60X2.0	6-M12x105	39	95	25	38.7	35	29.75	14.75	35	14	2	66
HS-10(77)	254	100	220	171.4	4	77	8.5	-10.5	25	45	M85X2.0	6-M16X120	43	110	30	51	46.6	33.75	14.25	40	16	2	94
HS-12	304	110	220	171.4	6	91	8	-15	28	50	M100X2.0	6-M16x130	51	111	30	61.3	56	45.75	15.75	50	21	2	108

Model	Thru Hole Dia	Grip Dia.		Jaw Stroke mm	Plunger Stroke mm	Permissible Input Force KN(kgf)	Max. Static Gripping Force KN(kgf)	Max RPM	weight kgf	N.m (kgf.m) GD	Operating Cylinder	Max Hydraulic Pressure Mpa(kgf/cm)
		Max.	Min.									
HS-05	33	135	12	5.4	10	17.5(1784)	36 (3671)	7000	6.7	0.69 (0.07)	SYH-1036	3.43(35.0)
HS-06	45(46)	169	15	5.5	12	22 (2243)	57 (5812)	6000	11.9	2.26 (0.23)	SYH-1246	2.8 (28.6)
HS-08	52	210	13	7.4	16	34.8 (3549)	86 (8769)	5000	22.3	6.67 (0.68)	SYH-1552	2.65 (27)
HS-10	75(77)	254	31	8.8	19	43 (4385)	111(11319)	4200	34.5	2.36 (1.26)	SYH-1875	2.7 (27.5)
HS-12	91	304	34	10.6	23	55 (5608)	144(14686)	3300	55.3	28.93(2.95)	SYH-2091	2.7 (27.5)

Call Us Today For All Of Your Machine Tool Needs!

2009-10 Product Catalog

POWER CHUCKS-1.5mm X 60° Serrations

SAMCHULLY HS SERIES

Standard 3-Jaw, Wedge-Type Open Center Chucks

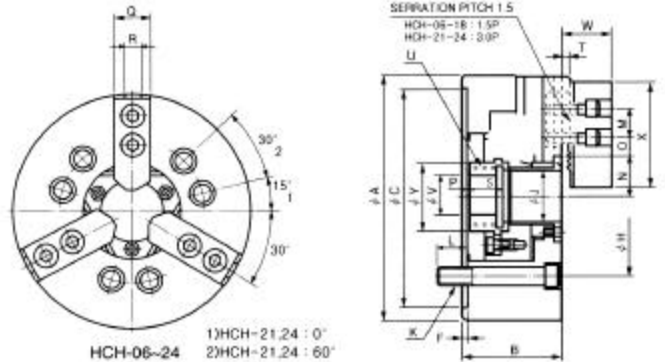


SAMCHULLY Chucks Are Interchangeable With Kitagawa™ "B" Series Chucks!

Chuck Size	Chuck Model	Thru-hole Dia	Mount	Part Number	Price	Chuck Cross Reference
4"	HCH-04	0.827 21mm	Flatback	K-04-HCH-H	\$1,250.00	B-04
			A2-5	K-04A05-HCH-H	\$1,450.00	
6"	HCH-06	1.300 33mm	Flatback	K-06-HCH-H	\$1,300.00	B-06
			A2-5	K-06A05-HCH-H	\$1,500.00	
8"	HCH-08	1.811 46mm	Flatback	K-08-HCH-H	\$1,750.00	B-08
			A2-6	K-08A06-HCH-H	\$2,000.00	
10"	HCH-10	2.559 65mm	Flatback	K-10-HCH-H	\$2,100.00	B-10
			A2-6	K-10A06-HCH-H	\$2,510.00	
12"	HCH-12	3.070 78mm	Flatback	K-12-HCH-H	\$2,800.00	B-12
			A2-8	K-12A08-HCH-H	\$3,210.00	
15"	HCH-15	4.626 117.5mm	Flatback	K-15-HCH-H	\$5,170.00	B-15
			A2-11	K-15A11-HCH-H	\$5,980.00	
18"	HCH-18	4.626 117.5mm	Flatback	K-18-HCH-H	\$7,200.00	B-18
			A2-11	K-18A11-HCH-H	\$8,010.00	
21"	HCH-21	5.511 140mm	Flatback	K-21-HCH-H	\$9,600.00	B-21
			A2-11	K-21A11-HCH-H	\$10,410.00	
24"	HCH-24	6.496 165mm	Flatback	K-24-HCH-H	\$11,700.00	B-24
			A2-15	K-24A11-HCH-H	\$12,900.00	
32"	HCH-32	9.448 240mm	Flatback	K-32-HCH-H	\$32,795.00	-
			A2-15	K-32A15-HCH-H	\$33,995.00	

FEATURES:

- 3-jaw, wedge-type chuck with large bore
- Powerful gripping force and high turning speed
- Interchangeable with Kitagawa "B" Series power chucks
- Manufactured from high grade alloy steel
- All sliding surfaces are hardened and ground for accuracy and repeatability
- 2 & 4 jaw and Mega Bore chucks also available
- Large variety of replacement parts in stock



Chuck Model	A	B	C (H6)	F	H	J	K	L	M	N max.	O max.	O min.	P max.	P min.	Q	R	S	T	U max.	V	W	X	Y
HCH-04	110	54	85	4	70.6	21	3-M10	15.5	15	20.0	14.25	6.75	3.5	-3	19	8	15	2	M28x1.5	13	24	48	34
HCH-06	165	83	140	5	104.8	33	6-M10	14	20	27.5	25.75	10.75	10	-2	31	12	24	4	M42x1.5	16	35	72	48.8
HCH-08	210	91	170	5	133.4	46	6-M12	20	25	35.7	31.25	13.25	3	-13	35	14	30	5	M55x2.0	30	42	95	61
HCH-10	254	100	220	5	171.4	65	6-M16	23	30	50	32.25	12.75	-25	-6	40	16	35	5	M75x2.0	45	46	110	84.5
HCH-12	304	110	220	6	171.4	78	6-M16	23	30	58	48.75	12.75	8	-15	49	18	38	5	M88x2.0	50	53.5	129	96
HCH-15	381	133	300	6	235.0	117.5	6-M20	30	43	82	43.75	18.25	11	-12	62	22	39	5	M130x2.0	60	70	165	139
HCH-18	450	133	380	6	235.0	117.5	6-M20	30	43	82	78.25	18.25	11	-12	62	22	39	5	M130x2.0	60	70	165	139
HCH-21	530	140	380	6	330.2	140	6-M22	31	60	98.5	87.50	21.5	11	-12	65	25	39	5	M155x3.0	80	72	180	170
HCH-24	610	149	380	6	330.2	165	6-M22	32	60	108	117.50	21.5	20	-3	65	25	40	5	M175x3.0	80	72	180	187
HCH-32	800	150	520	6	463.6	240	6-M24	31	38	162.6	182	20	29	-5	75	25.5		10	M250x3.0	80	83	160	260

MODEL	Thru Hole Dia	Grip Dia		Jaw Stroke mm	Plunger Stroke mm	Permissible Input Force KN(kgf)	Max. Static Gripping Force KN(kgf)	Max RPM	weight kgf	N.m (kgf.m) GD	Operating Cylinder	Max Hydraulic Pressure Mpa(kgf/cm)
		Max.	Min.									
HCH-04	21	110	5	4.2	6.5	8 (800)	13 (1350)	5500	3.7	0.2 (0.024)	HYH-0933	2.2 (22.4)
HCH-06	33	165	12	5.5	12	20 (2039)	51 (5200)	5000	14	2.00 (0.20)	SH-13046	2.2 (22.4)
HCH-08	46	210	13	7.4	16	31 (3161)	78 (7954)	4000	25	5.59 (0.57)	SH-15052	2.2 (22.4)
HCH-10	65	254	25	8.8	19	38 (3875)	99 (10095)	3500	38	12.94 (1.32)	SH-18077	2.3 (23.5)
HCH-12	78	304	19	10.6	23	49 (4997)	129 (13150)	3000	63	29.71 (3.03)	SH-21091	2.3 (23.5)
HCH-15	117.5	381	30	10.6	23	71 (7240)	180 (18355)	2500	120	89.14 (9.09)	SH-25011	2.3 (23.5)
HCH-18	117.5	450	30	10.6	23	71 (7240)	180 (18355)	2000	164	174.6 (17.8)	SH-25011	2.3 (23.5)
HCH-21	140	530	87	10.6	23	90 (9177)	234 (23861)	1700	235	351.1 (35.8)	SH-25011	3.0 (30.6)
HCH-24	165	610	110	10.6	23	90 (9177)	234 (23861)	1400	293	651.2 (66.4)	SYHL-2816	3.0 (30.6)
HCH-32	240	800	240	-	-	-	-	1200	530	598.4 (61)	SYHL-2816	3.2 (33.6)

Call Us Or Visit Our Website For Our Complete Selection!

Soft, Round & Hard Jaws

5C, 16C, CHICK Collet Chucks

Precision ER Collets Coolant & Tapping

Drill Chucks Tapping Equip

Spade Drills HSS/Carbide Inserts

Carbide Tools Micro 100

Machinery Bandsaw Blades

Flat Stock/Drill Rod Coolant/Hand Tools